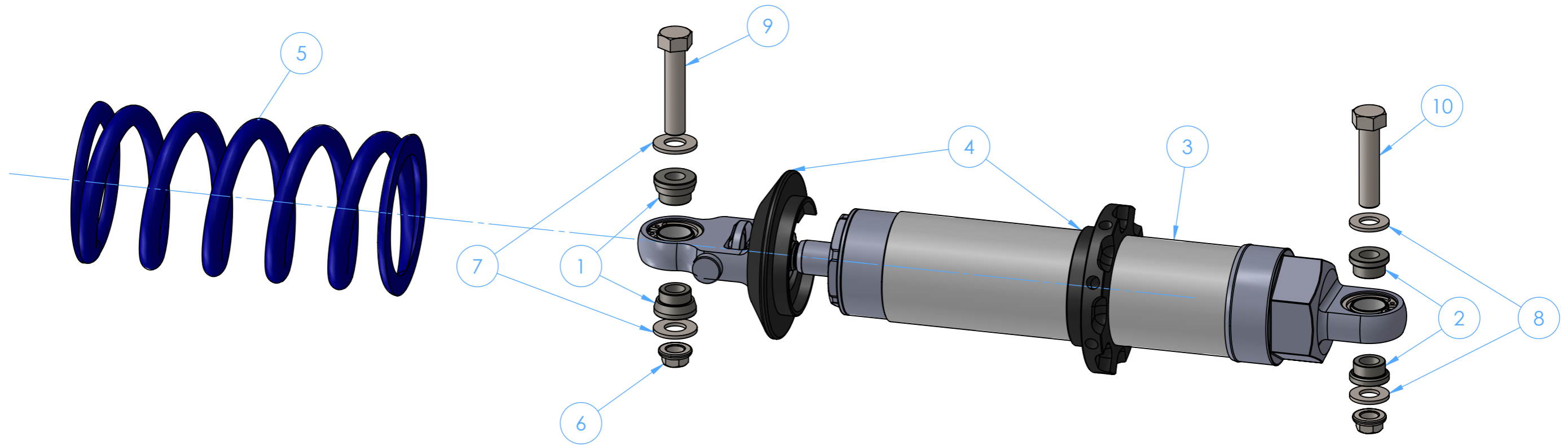
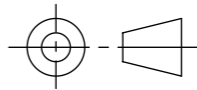


ITEM NO.	PART NUMBER	DESCRIPTION	QTY.
1	NP01-10-026	Top Hat - Frt Shock To Chassis	2
2	NP01-20-026	Top Hat - Rear Damper	2
3	PS-0085	Front Damper -2 Way Non-Remote	1
4	PS-0087	2.25" Spring Hardware - NP01	1
5	PS-0090	Front Spring - 400#	1
6	PA-0004	3/8 K-Nut	2
7	PA-0009	3/8 Washer	2
8	PA-0010	3/8 Washer Thin	2
9	PN-0053	NAS 1306-20	1
10	PN-0058	NAS 1306-18	1



01	ISSUED FOR MANUFACTURE	0187	GY	9/22/15
ISSUE	MODIFICATIONS	ECN REF	BY	DATE
TITLE: FRONT DAMPER ASSEMBLY		PART NO: ANP01-10015		
		MATERIAL:		
<p>TOLERANCES UNLESS STATED  3 dp: ±0.005  2 dp: ±0.01  1 dp: ±0.03  SURFACE FINISH: 125 mu  ANGULAR: ±0.5°  ALL DIMENSIONS ARE IN INCHES UNLESS STATED  BREAK ALL SHARP EDGES</p>		SCALE: 1:2	FINISH:	
<small>THIS DRAWING IS THE PROPERTY OF EMI AND IS LOANED ON THE UNDERSTANDING THAT THE DRAWING AND THE INFORMATION CONTAINED HEREIN WILL NOT BE REPRODUCED, COPIED DIRECTLY OR INDIRECTLY, IN WHOLE OR IN PART, OR USED FOR THE MANUFACTURE OF ANY PARTS SHOWN HEREIN, EXCEPT WITH THE WRITTEN PERMISSION OF EMI. ACCEPTANCE OF THIS DRAWING WILL BE CONSTRUCTED AS ACCEPTANCE OF THE FOREGOING CONDITIONS.</small>		DRAWN: GY	PER CAR:	
		CHK'D: -	2	
		DATE: 9/22/15		