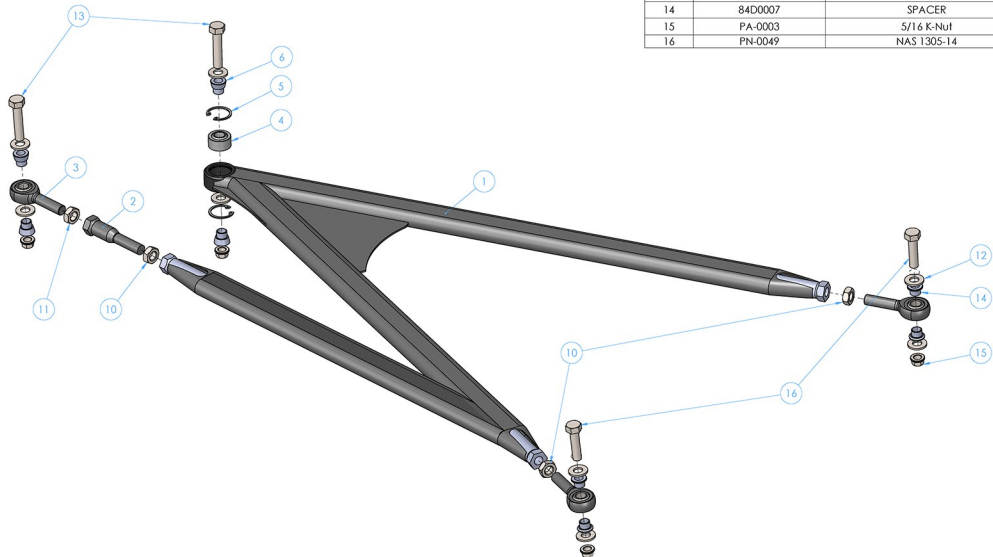


ITEM NO.	PART NUMBER	DESCRIPTION	QTY.
1	NP01-20-005	Rear Top Wishbone	1
2	97-C-0011	Tumbuckle	1
3	PR-0150	3/8-24 Rod End	3
4	PR-0149	3/8" Spherical	1
5	PC-0077	Upper Ball Joint Retaining Ring	2
6	NP01-10-028	Top Hat. 375-3125	4
10	PA-0192	Jam Nut 3/8-24 RH	3
11	PA-0193	Jam Nut 3/8-24 LH	1
12	PA-0008	5/16 Washer Thin	8
13	PN-0016	NAS 1305-20	2
14	84D0007	SPACER	4
15	PA-0003	5/16 K-Nut	4
16	PN-0049	NAS 1305-14	2



01	ISSUED FOR MANUFACTURE	0187	GY	9/22/15
0000	MODIFICATIONS	DESIGNED BY	BY	DATE
REAR TOP WISHBONE ASSM		ANP01-20005		
MATERIAL:				
TORQUE/COUPLER UNLESS STATED 3-100 10-100 5-100 10-100 SURFACE FINISH: 100µ DIMENSIONS: 100µ ALL DIMENSIONS ARE IN MILLIMETERS UNLESS NOTED BREAK ALL DIMENSIONS		SCALE: 1:2 DRAWN: DMW CHECKED: RLL DATE: 04/15	PART NO.: FEEDBACK: PART CALL: 2	