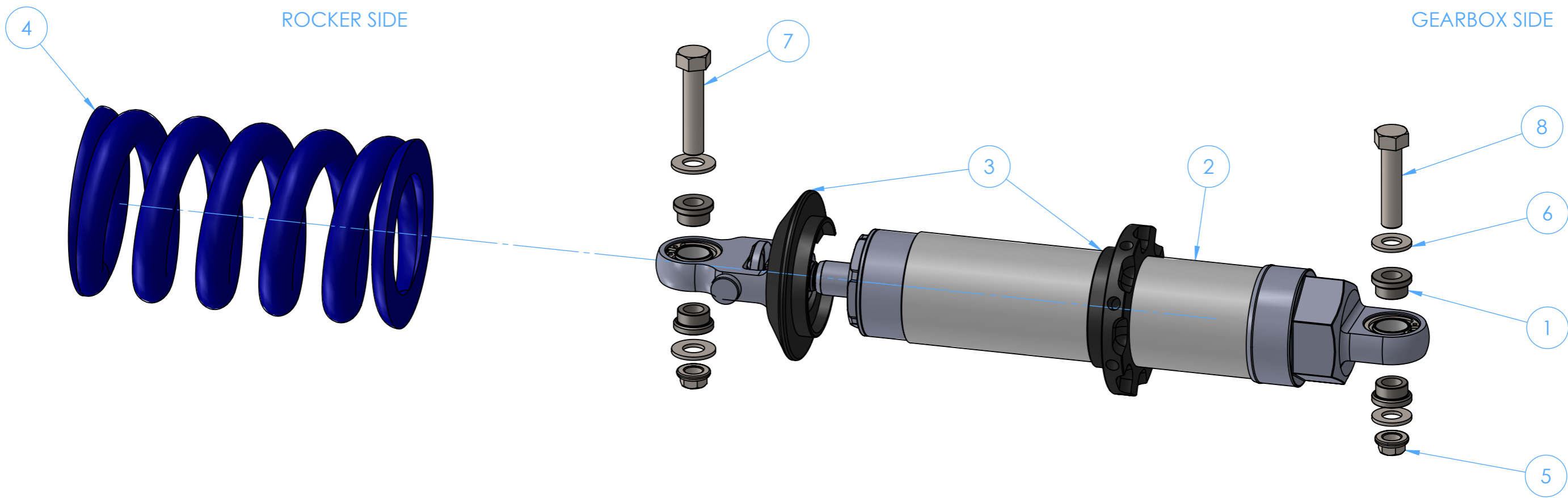


ITEM NO.	PART NUMBER	DESCRIPTION	QTY.
1	NP01-20-026	Top Hat - Rear Damper	4
2	PS-0085	Front Damper -2 Way Non-Remote	1
3	PS-0087	2.25" Spring Hardware - NP01	1
4	PS-0091	Rear Spring - 1400#	1
5	PA-0004	3/8 K-Nut	2
6	PA-0010	3/8 Washer Thin	4
7	PN-0075	NAS 1306-16 Engine End	1
8	PN-0058	NAS 1306-18	1



01	ISSUED FOR MANUFACTURE	0187	GY	9/22/15
ISSUE	MODIFICATIONS	ECN REF	BY	DATE
TITLE: REAR DAMPER ASSEMBLY		PART NO: ANP01-20015		
<p>TOLERANCES UNLESS STATED 3 dp: ±0.005 2 dp: ±0.01 1 dp: ±0.03 SURFACE FINISH: 125 mu ANGULAR: ±0.5° ALL DIMENSIONS ARE IN INCHES UNLESS STATED BREAK ALL SHARP EDGES</p>		MATERIAL:		
		SCALE: 1:2	FINISH:	
<small>THIS DRAWING IS THE PROPERTY OF EMI AND IS LOANED ON THE UNDERSTANDING THAT THE DRAWING AND THE INFORMATION CONTAINED HEREIN WILL NOT BE REPRODUCED, COPIED DIRECTLY OR INDIRECTLY, IN WHOLE OR IN PART, OR USED FOR THE MANUFACTURE OF ANY PARTS SHOWN HEREIN, EXCEPT WITH THE WRITTEN PERMISSION OF EMI. ACCEPTANCE OF THIS DRAWING WILL BE CONSIDERED AS ACCEPTANCE OF THE FOREGOING CONDITIONS.</small>		DRAWN: GY	PER CAR:	
		CHK'D: -	2	
		DATE: 9/22/15		