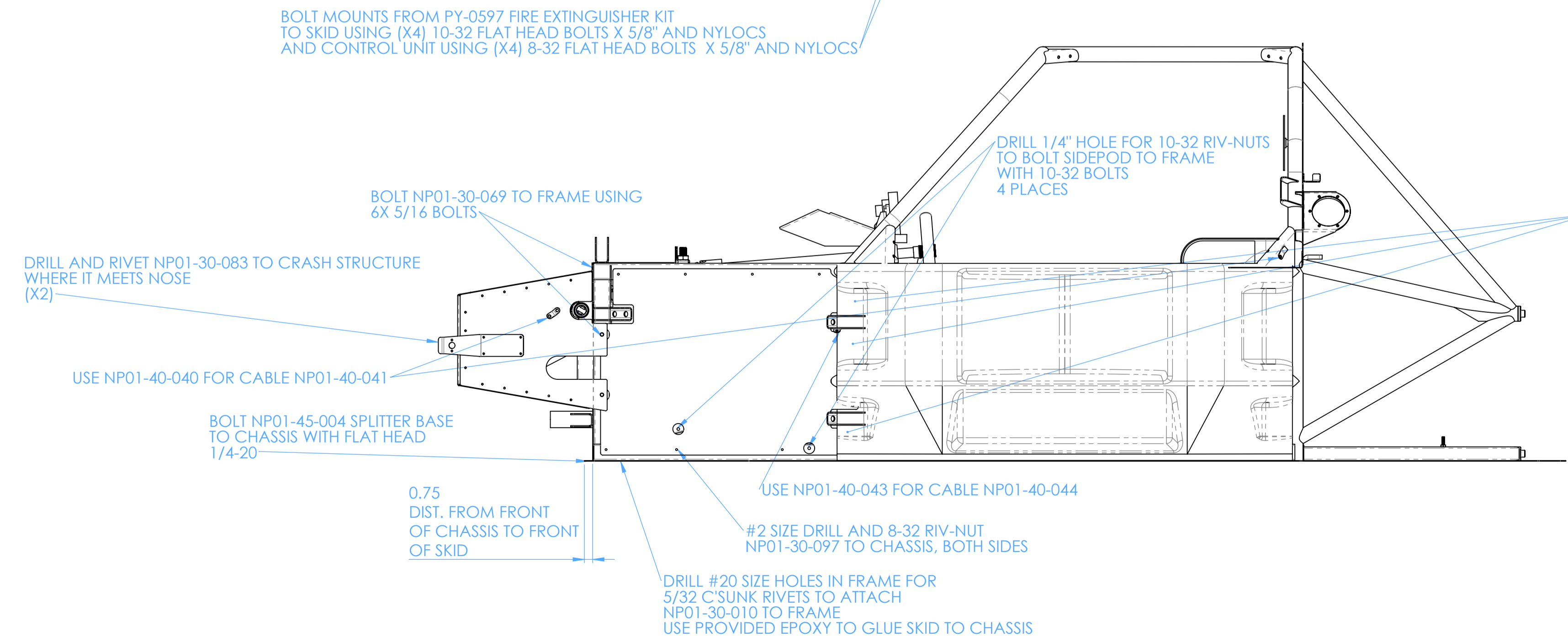
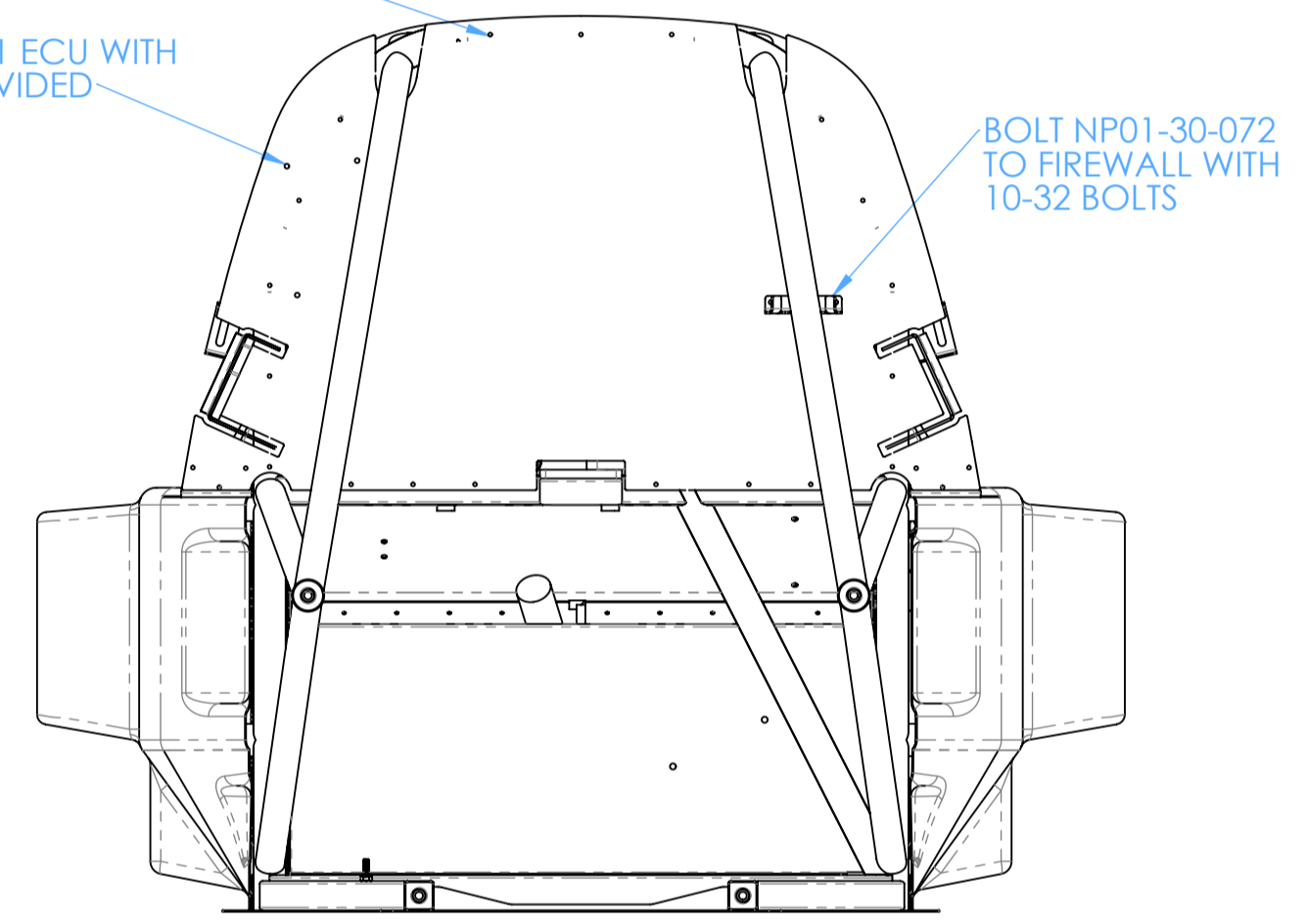
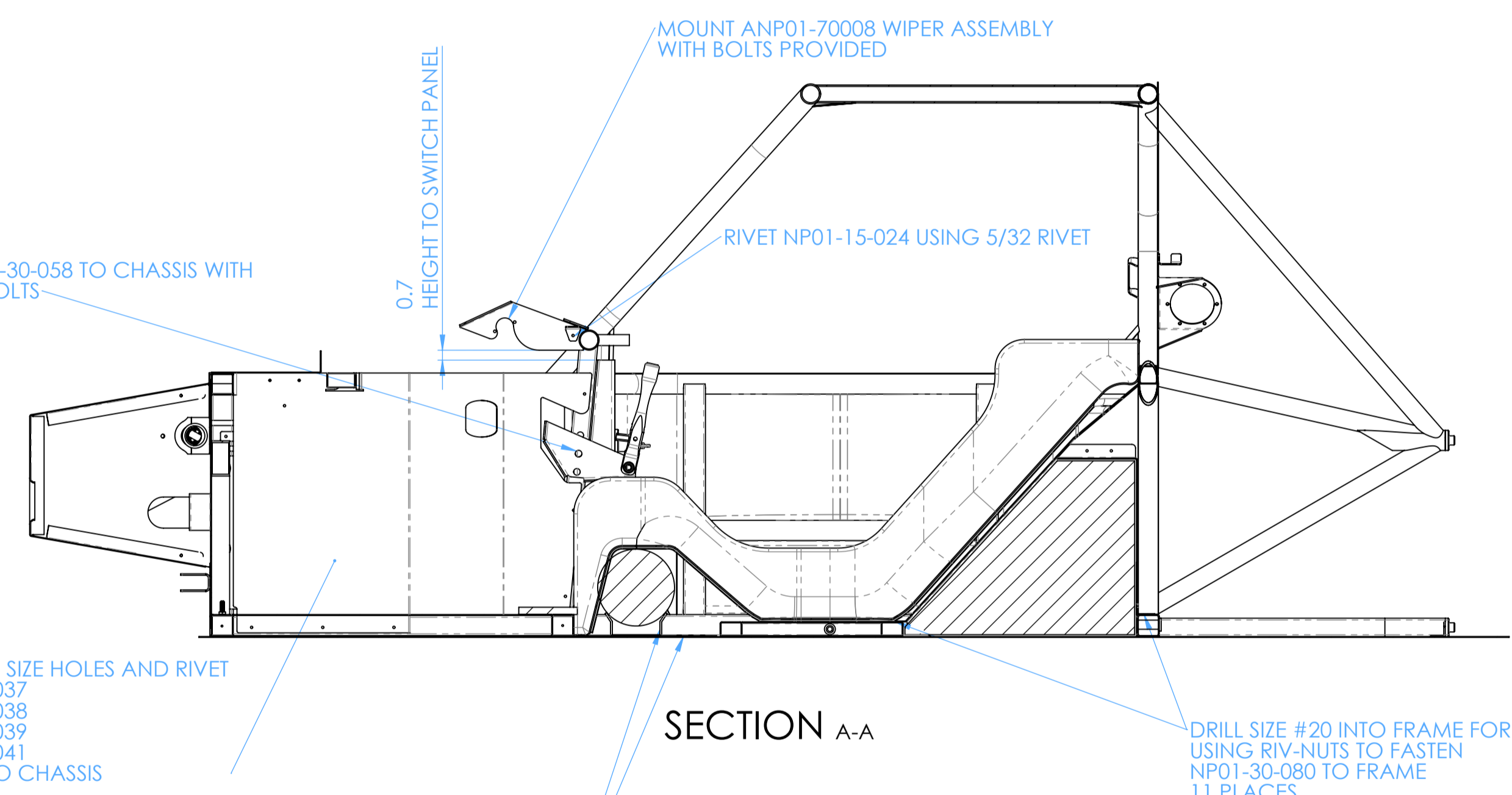
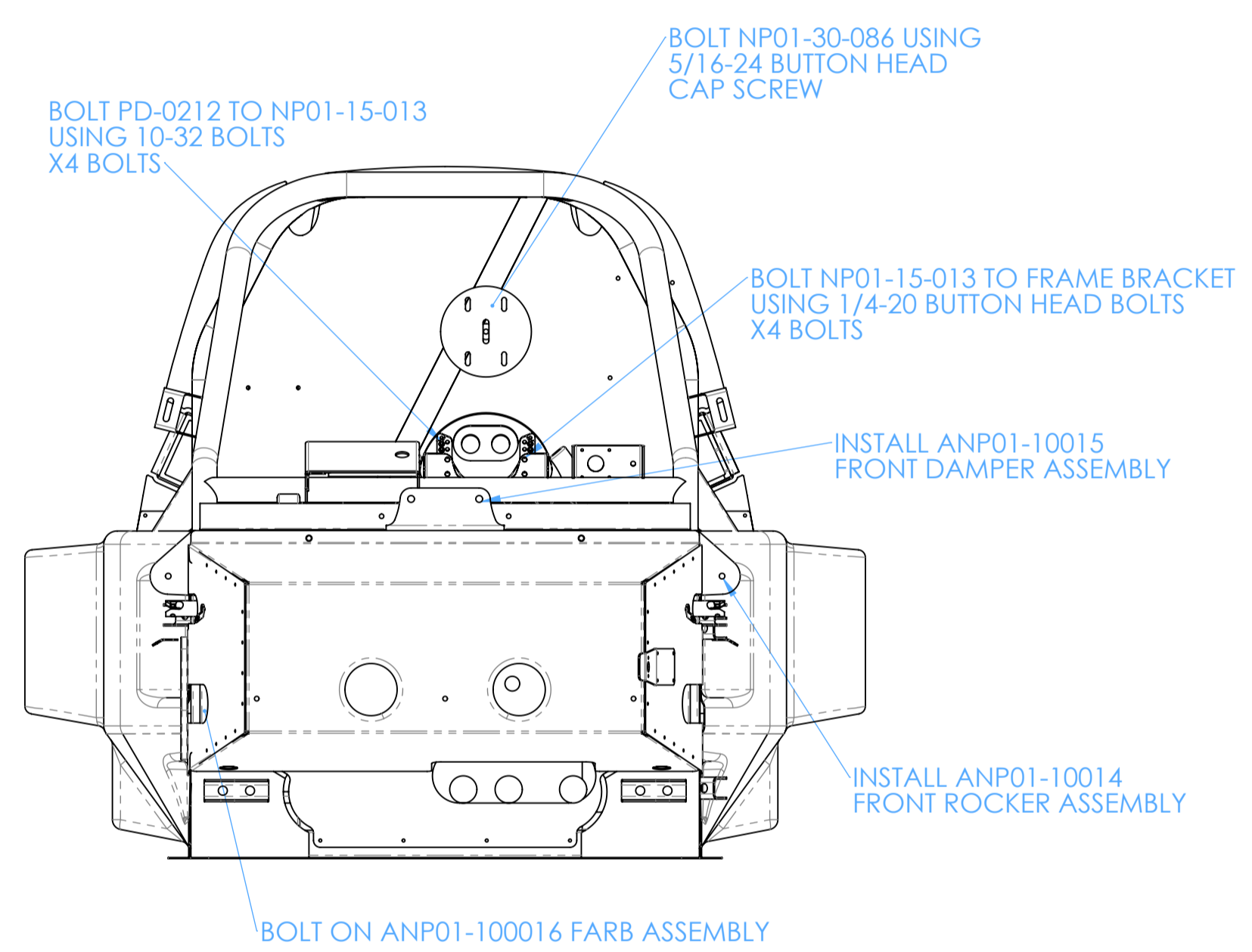


PART NO'S:	PARTS INCLUDED
ANP01-30004	CHASSIS ASSEMBLY
ANP01-002	STEERING SYSTEM ASSEMBLY
ANP01-10014	FRONT ROCKER ASSEMBLY
ANP01-10015	FRONT DAMPER ASSEMBLY
ANP01-10016	FARB ASSEMBLY
NP01-30-005	SEAT
NP01-30-010	SKID
NP01-30-037	CLOSE OUT PANEL LEFT
NP01-30-038	CLOSE OUT PANEL RIGHT
NP01-30-039	CLOSE OUT PANEL FRONT
NP01-30-040	CLOSE OUT PANEL TOP
NP01-30-041	FIREWALL
NP01-30-056	LEG GAURD PANEL
NP01-30-057	BRACKET, SWITCH MOUNT
NP01-30-076	SPACER, SWITCH MOUNT
ANP01-15006	SHIFTER ASSEMBLY
NP01-30-065	SIDE IMPACT STRUCTURE LH
NP01-30-085	SIDE IMPACT STRUCTURE RH
NP01-30-069	FRONT IMPACT STRUCTURE ASSEMBLY
NP01-30-072	BRACKET, HEADER-CATCH TANK
NP01-30-077	FRONT TOW HOOK
NP01-30-080	TANK COVER - SEATBACK ASSEMBLY
NP01-30-086	HEADREST
NP01-30-093	BRACKET - NOSE MOUNT
NP01-30-097	ANTI INTRUSION PANEL
NP01-15-021	DEAD PEDAL
NP01-15-024	BRACKET - FIRE SYSTEM NOZZLE
NP01-40-040	CABLE STAY BRACKET 1/4-1/4
NP01-40-043	CABLE STAY BRACKET 1/4-5/16
PD-0211	ECU
PD-0212	AIM DASH XML2
PY-0597	FIRE EXTINGUISHER KIT
NP01-92-024	DRILL JIG, FIRE SYSTEM



01	ISSUED FOR MANUFACTURE	0187	GY	10/7/15
ISSUE	MODIFICATIONS	ECHN REF	BY	DATE
TITLE: CHASSIS		PART NO: ANP01-30000		
MATERIAL:		FINISH:		
SCALE: 1:8		DATE: 10/7/15		
DRAWN: GY		PER CAR: ONE		
CHK'D:				

**élan TECHNOLOGIES**  
 TOLERANCES UNLESS STATED:  
 3 DEC: ±0.005  
 2 DEC: ±0.01  
 1 DEC: ±0.03  
 SURFACE FINISH: 125 RMS  
 ANGLE: ±0.5°  
 ALL DIMENSIONS ARE IN INCHES UNLESS STATED  
 BREAK ALL SHARP EDGES